

JBL 4309

6.5-inch (165mm) 2-way Studio Monitor Loudspeaker

JBL



Highlights:

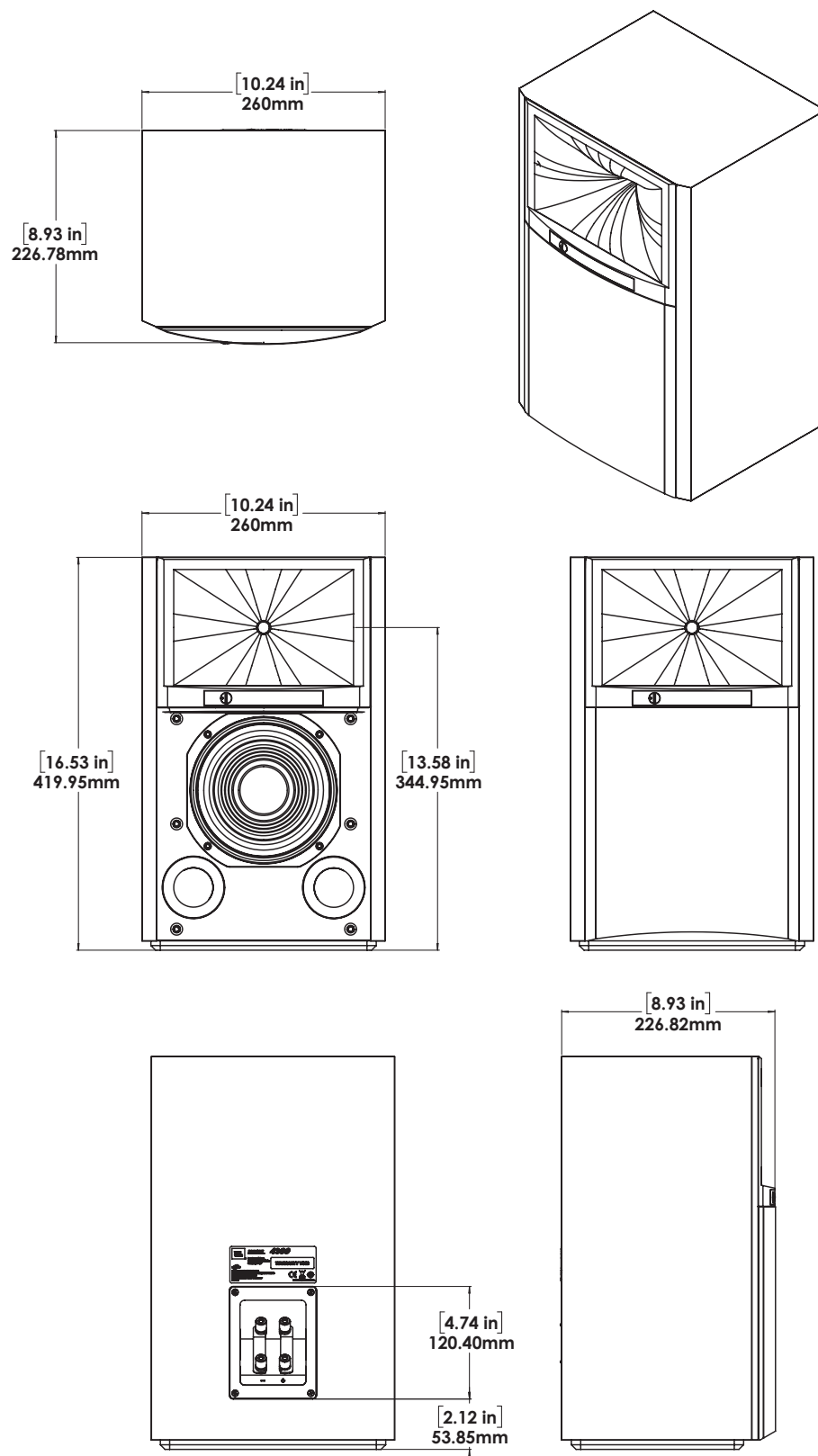
- Patented High-Definition Imaging (HDI™) horn
- Patented 2410H-2 1-inch (25mm) high-frequency compression driver
- 6.5-inch (165mm) cast frame, Pure-pulp cone woofer with 1.5-inch voice coil
- Classic Studio Monitor design with premium finishes including satin Walnut wood veneer with blue grille or satin Black Walnut wood veneer with black grille

Specifications

- ▶ Type: 2-way bookshelf loudspeaker
- ▶ Low Frequency Driver: 6.5" (165mm) Pure Pulp cone woofer
- ▶ High Frequency Driver: 2410H-2 1-inch (25mm) annular ring, Teonex® diaphragm compression driver with advanced HDI™ geometry horn
- ▶ Recommended Amplifier Power: 25 – 150 WRMS
- ▶ Impedance: 4 Ohm
- ▶ Loudspeaker Sensitivity: 87dB/2.83V/1m
- ▶ Frequency Response: 42Hz – 30kHz (-6dB)
- ▶ Coverage Angle, -6dB: 100 Degrees Hor. x 80 Degrees Ver., from 2kHz to 17kHz
- ▶ Crossover Frequency: 1.6kHz
- ▶ Enclosure Type: V-braced front-ported bookshelf
- ▶ Grille Feature: Monitor style to match horn mating features, supplied in dark blue (with walnut cabinet) and black (with black cabinet)
- ▶ Dimensions with grille: 16.5" H x 10.25" W x 9" D (419mm H x 260mm W x 227mm D)
- ▶ Controls: UHF tone control
- ▶ Input Type: Dual sets of gold-plated binding posts with shorting straps
- ▶ Product Weight (Each): 24.2 lbs (10.98kg)
- ▶ Shipping Weight: 56.2 lbs (25.5kg)
- ▶ Shipping Units of Measure: Pair
- ▶ Warranty: 5 Years
- ▶ Recommended stand height: 24" (609mm)

JBL 4309

6.5-inch (165mm) 2-way Studio Monitor Loudspeaker



HARMAN International Industries, Incorporated
8500 Balboa Boulevard, Northridge, CA 91329 USA
www.jblsynthesis.com

© 2021 HARMAN International Industries, Incorporated. All rights reserved. JBL and JBL Synthesis are trademarks of HARMAN International Industries, Incorporated, registered in the United States and/or other countries. Features, specifications and appearance are subject to change without notice.